



S100 / OPMI pico

OPMI pico
Experience the difference



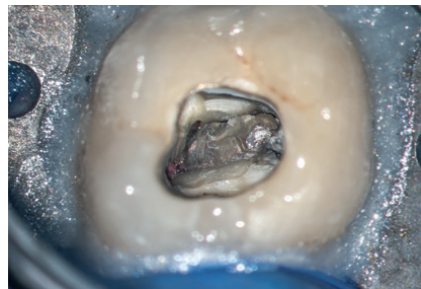
We make it visible.



Restorative dentistry

Quickly detect enamel and dentine fractures as well as approximal caries. High-precision views enable accurate assessment of crown edges, preparation levels and veneers.

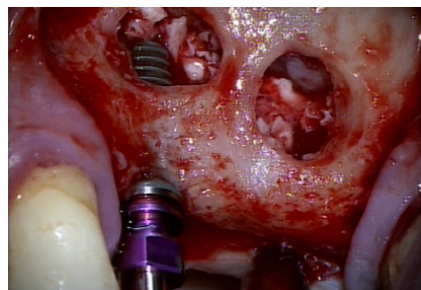
› Image courtesy of Dr. Wolfgang Gänslar Illertissen, Germany



Endodontics

Visualize fine anatomical structures and details of root canals and isthmuses. The visibility provides a clear view down to the apex.

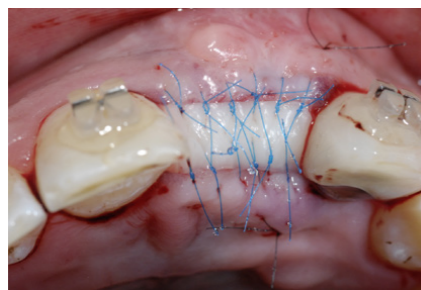
› Image courtesy of Oscar Freiherr von Stetten Stuttgart, Germany



Implantology

Conduct high-precision examinations and implant treatments quickly and confidently. Reliably detect important anatomical structures.

› Image courtesy of Dr. Behnam Shakibaie Tehran, Iran



Periodontics

Benefit from support for soft-tissue evaluation and management to enable fast healing, low scarring and improved cosmetic outcomes.

› Image courtesy of Dr. Rino Burkhart Zurich, Switzerland



OPMI pico

Quality you can see

OPMI® pico makes details and fine structures clearly visible. It enables you to better visualize the regions of interest and consistently provide your patients with high-quality examinations and treatments.

The compact, high-performing, easy-to-use OPMI pico offers solid support for the most demanding applications – whether in restorative dentistry, endodontics, implantology or periodontics.

OPMI pico’s cost-effective illumination options offer solutions for all specialized dental offices to meet your standards and needs. Complete integration of the light source makes it easier to clean the system.

Highly ergonomic functions enable various users to conveniently adjust the focal length while maintaining their preferred working posture.

OPMI pico also features camera options to facilitate patient consultation and documentation; depending on the specific needs in your practice.



Illumination concept for dentistry

The choice is yours:

OPMI pico is available with halogen, LED and xenon



Halogen for standard applications
Light source for all standard applications and routine examinations in your daily practice.



LED for premium applications
For color rendition and light that strongly resembles natural daylight. It is a very cost-effective and virtually maintenance-free light source. The very low heat output requires minimal ventilation and produces very low noise levels.



Xenon for premium plus applications
For highest demands and professional documentation, the shadowless illumination puts light exactly where it is needed. Even root canals are perfectly illuminated and imaged.

For a better view

OPMI pico enables you to visualize high-contrast, true-color images – the key to improving the quality of the examination and treatment.

With OPMI pico, optics and illumination go hand in hand.



View the whole mouth
The Varioskop® 100 objective lens allows you to adjust the focal length over a large range (120 mm) to focus on virtually any image detail – large or small – from the entire mouth down to fine anatomical structures.

Better overview
The large field of view lets you visualize the entire oral cavity – providing a more comprehensive view and improved orientation of the horizontal axis.



Wide-field eyepieces provide a large field of view with a 3D image
Special diopter settings also make them suitable for eyeglass wearers.



More time for one treatment
Orange filter prevents premature curing
› Image courtesy of Dr. Wolfgang Gänsler Illertissen, Germany

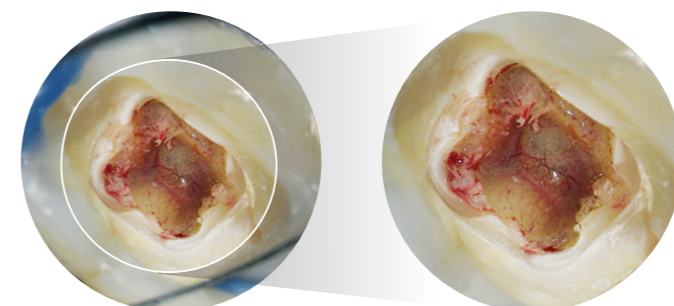


Full overview of fine details
OPMI pico delivers high-quality images at every magnification level.

Full overview – from optimum to maximum

The Foldable Tube f170/f260 boosts 150% detail magnification with the PROMAG™ function.

› Image courtesy of Dr. Bijan Vahedi Augsburg, Germany





For better ergonomics

A stiff neck, a sore back – things you experience all too often after a hard day's work. With OPMI pico and features like the Varioskop 100, MORA interface, 180° tiltable tube, Foldable Tube f170/f260 and the specially tailored ergonomic handgrips, these are all a thing of the past.

You can sit comfortably in an upright, ergonomically correct position during treatment for a more relaxed working day.



More comfort

Varioskop 100 enables users to conveniently adjust the focal length without leaving their preferred working position – a true advancement that helps prevent neck strain and back problems.

Greater depth

Varioskop's adjustment knob allows you to adapt the focal length over a large distance to focus on the whole mouth as well as minute details in the vertical axis – without moving the OPMI pico.



Ergonomic design in your hands

Adjustable connectors make it possible to individually arrange the handgrips. Ergonomically correct angles for dental treatments are provided.

Comfortable overview

The MORA interface allows you to maintain a comfortable upright viewing position at all times, regardless of the angle of the system. You'll never have to take your eyes off your patient.

Adjust the OPMI pico to you and not vice versa

Reduce or increase the distance for the required treatment field as needed with the patented multilink design of the Foldable Tube f170/f260. With its long reach, this highly flexible system easily accommodates the needs of the user and different positions of the patient.





To create more trust

Real-life pictures are very convincing. OPMI pico can accommodate a full HD video camera, allowing you to present patients with high-definition material to explain procedures. In addition, you can vividly display results at conferences. Recordings can be used either to teach anatomy and procedures or to simply document work in HD quality.

Presentation at conferences



HD-ready 720p



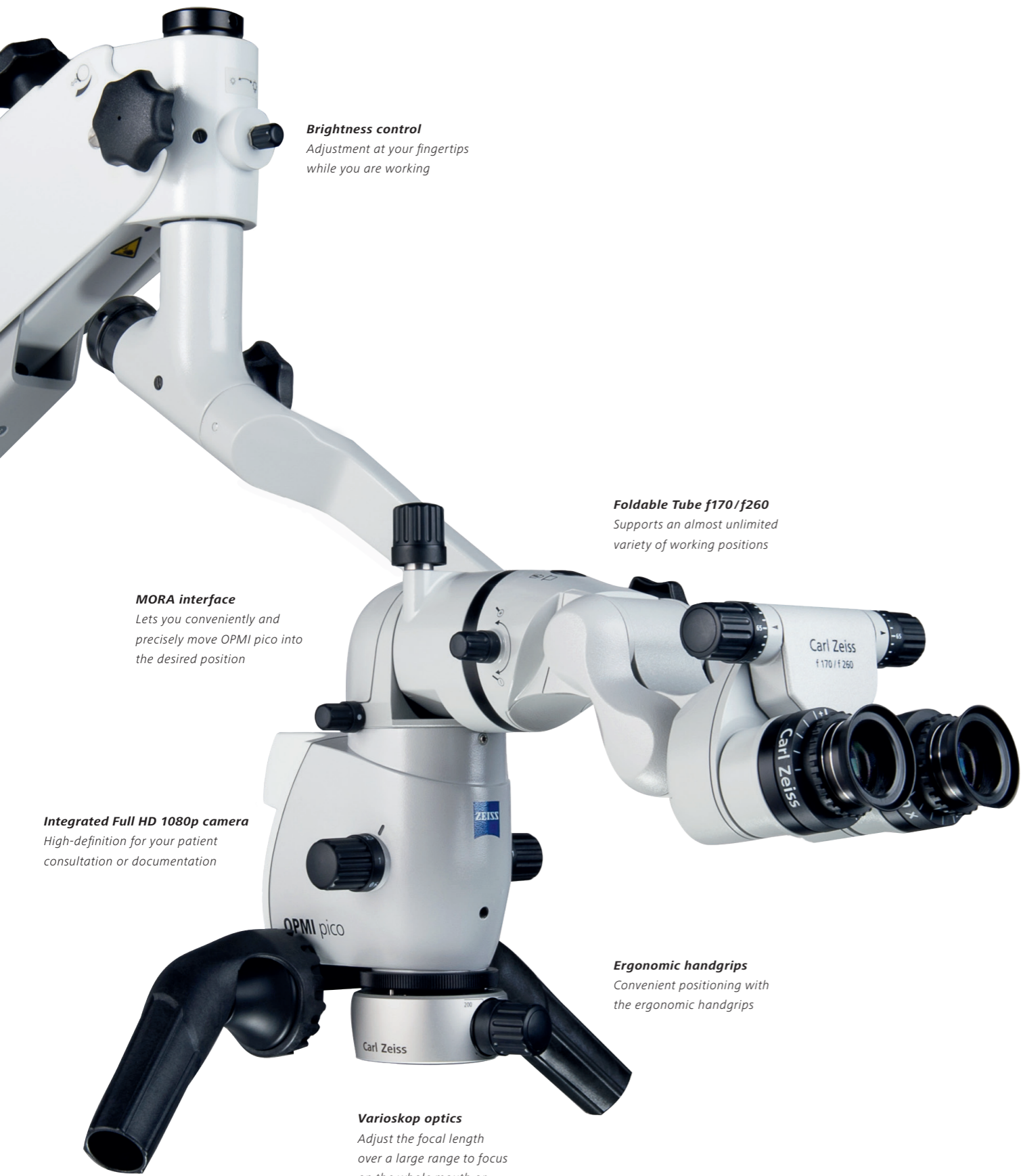
Full HD 1080p



› Image courtesy of Dr. Bijan Vahedi
Augsburg, Germany

Integrated camera advantages

- The integrated full HD video camera delivers images with definition and differentiation of details
- All functional elements are completely integrated into the system to avoid workspace clutter
- Conveniently fine-tune images with single button operation of the integrated video control console
- Ready for use when the OPMI pico is switched on
- Supports the co-observation and documentation
- Simplified cleaning of the housing



Brightness control
Adjustment at your fingertips while you are working

Foldable Tube f170/f260
Supports an almost unlimited variety of working positions

MORA interface
Lets you conveniently and precisely move OPMI pico into the desired position

Integrated Full HD 1080p camera
High-definition for your patient consultation or documentation

Ergonomic handgrips
Convenient positioning with the ergonomic handgrips

Varioskop optics
Adjust the focal length over a large range to focus on the whole mouth or minute details

For better integration

A highly compact instrument with a small footprint, OPMI pico fits seamlessly into virtually any practice workflow environment. Simply plug in the cable, switch the power on, and the OPMI pico is ready for use.

Integrated light source

In addition to LED, OPMI pico is also available with integrated halogen and xenon illumination. Control the brightness at your fingertips while you are working.

Intuitive video adjustment

Conveniently operate images with single button operation of the integrated video control console. Once the power is on, OPMI pico is ready for recording, documentation and communication.

Complete integration of technology and design in the suspension arm for a well-balanced architecture

Functional elements such as the video control console, HD video camera, cables, light sources and light guides are completely integrated into the stand to avoid workspace clutter.

Workplace integration

OPMI pico is compatible with a large variety of dental treatment units from other manufacturers.



OPMI pico is ideally integrated into the practice environment

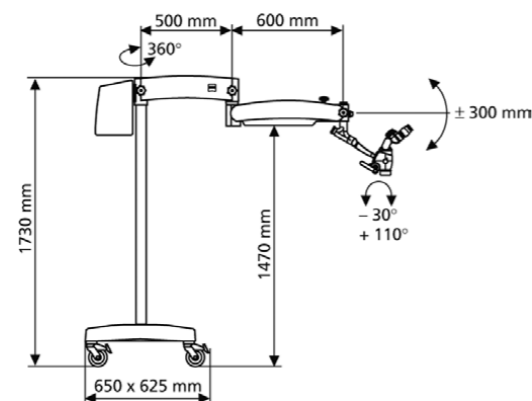
*› Soaric treatment unit
image courtesy of Morita*

Technical data

S100/OPMI pico

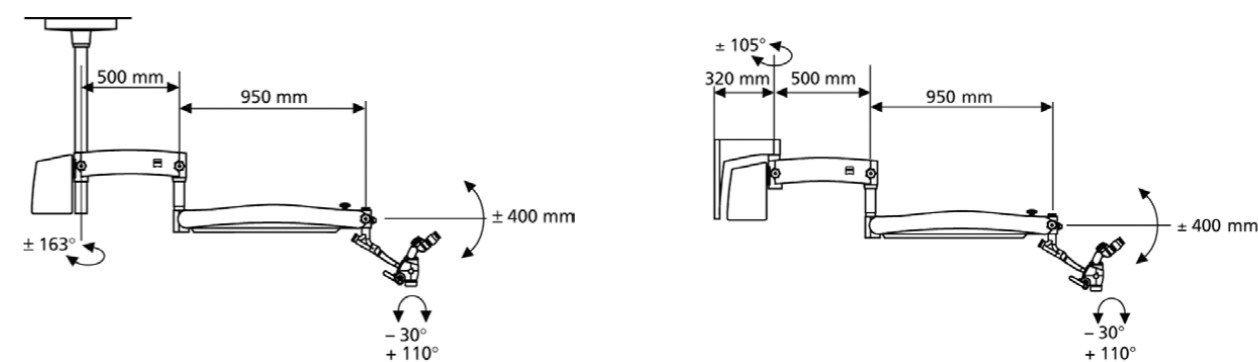
Basic configuration

Magnification system	Manual apochromatic magnification changer
Eyepieces	12.5x wide-field eyepieces; also suitable for eyeglass wearers
Tubes	Inclined 45° binocular tube, f =170 mm
Focus	f=250 mm, focusable
Illumination system	Halogen illumination
Handgrip	Standard handgrip
Mount mobility	120° coupler
Suspension system	Floor stand



Optional configuration

Eyepieces	<ul style="list-style-type: none"> 10 x wide-field eyepieces with reticle; also suitable for eyeglass wearers 12,5x wide-field eyepieces with reticle
Tubes	<ul style="list-style-type: none"> Tiltable tube 0°-180°, f = 170 or 200 mm or Foldable Tube f170/f260 with PROMAG function boosts to 150% detail magnification
Focus	<ul style="list-style-type: none"> Varioskop 100, focusable working distance 190-310 mm f=200 mm, focusable f=300 mm, focusable
Illumination system	<ul style="list-style-type: none"> LED illumination or Xenon illumination
Handgrips	<ul style="list-style-type: none"> Comfort, front or T-handgrip
Mount mobility	<ul style="list-style-type: none"> MORA interface without 120° coupler MORA interface with 120° coupler
Suspension system	<ul style="list-style-type: none"> Suspension mount or Centro mount or Ceiling mount or Wall mount (wallplate)



Accessories

Integrated video camera	<ul style="list-style-type: none"> HD-ready 720p or Full HD 1080p Cables HD monitors
External video solutions	<ul style="list-style-type: none"> Adapter for single lens reflex cameras or FlexioStill™ adapter for digital cameras or FlexioMotion™ adapter for digital camcorders
Asepsis	<ul style="list-style-type: none"> Splash protection for the objective lens VisionGuard® drapes for sterile work environment
Optics	Double iris diaphragm to increase the depth of field
Others	Instrument tray on floor stand

The moment medical technology leads to something very human: patients smile again.
This is the moment we work for.



// CONFIDENCE
MADE BY CARL ZEISS

Your local contact:

Argentina

Carl Zeiss Argentina S.A.
Calle Nahuel Huapi 4015 / 25
C1430 BCO Buenos Aires
Argentina
Phone: +54 11 45 45 66 61
bruzzi@zeiss.com.ar

Australia

Carl Zeiss Pty Ltd
Tenancy Office 4, Level 1
40-52 Talavera Road
North Ryde NSW 2113
Australia
Phone: +61 2 9020 1333
med@zeiss.com

Austria

Carl Zeiss GmbH
Laxenburger Str. 2
1100 Vienna
Austria
Phone: +43 1 79 51 80
austria@zeiss.org

Belgium

Carl Zeiss NV-SA
Ikaroslaan 49
1930 Zaventem
Belgium
Phone: +32 2 719 39 11
info@zeiss.be

Brazil

Carl Zeiss do Brasil Ltda.
Av. Nações Unidas, 21711
CEP04795-100 São Paulo
Brazil
Phone: +55 11 5693 5521
medbrasil@zeiss.org

Canada

Carl Zeiss Canada Ltd.
45 Valleybrook Drive
Toronto, ON M3B 2S6
Canada
Phone: +1 800 387 8037
czcmed@zeiss.com

China

Carl Zeiss Shanghai Co. Ltd.
1/f., Ke Yuan Building
11 Ri Yin Nan Road
Waigaoqiao Free Trade Zone
2005 Yang Gao Bei Road
Shanghai 200131
China
Phone: +86 21 5048 17 17
sro@zeiss.com.cn

Czech Republic

Carl Zeiss spol. s.r.o.
Radlická 14/3201
150 00 Prague 5
Czech Republic
Phone: +420 233 101 221
zeiss@zeiss.cz

France

Carl Zeiss Meditec France SAS
60, route de Sartrouville
78230 Le Pecq
France
Phone: +33 1 34 80 21 00
med@zeiss.fr

Germany

Carl Zeiss Meditec VG mbH
Carl-Zeiss-Strasse 22
73447 Oberkochen
Germany
Phone: +49 7364 20 6000
vertrieb@meditec.zeiss.com
Surgical Ophthalmology:
Phone: +49 800 470 50 30
iol.order@meditec.zeiss.com

Hong Kong

Carl Zeiss Far East Co. Ltd.
Units 11-12, 25/F
Tower 2, Ever Gain Plaza
No. 88 Container Port Road
Kwai Chung
Hong Kong
Phone: +852 2332 0402
cufe@zeiss.com.hk

India

Carl Zeiss India Pvt. Ltd.
Plot No.3, Jigani Link Road
Bommasandra Industrial Area
Bangalore - 560 099
India
Phone: +91 80 4343 8000
info@zeiss.co.in

Italy

Carl Zeiss S.p.A.
Viale delle Industrie 20
20020 Arese (Milan)
Italy
Phone: +39 02 93773 1
infomed@zeiss.it

Japan

Carl Zeiss Meditec Japan Co. Ltd.
Shinjuku Ku
Tokyo 160-0003
22 Honchio-Cho
Japan
Ophthalmic instruments:
Phone: +81 3 33 55 0331
medsales@zeiss.co.jp
Surgical instruments:
Phone: +81 3 33 55 0341
cmskoho@zeiss.co.jp

Malaysia

Carl Zeiss Sdn Bhd.
Lot2, Jalan 243/51 A
46100 Petaling Jaya
Selangor Darul Ehsan
Malaysia
Phone: +60 3 7877 50 58
malaysia@zeiss.com.sg

Mexico

Carl Zeiss de México S.A. de C.V.
Avenida Miguel Angel de Quevedo
496
04010 Mexico City
Mexico
Phone: +52 55 59 99 0200
cz-mexico@zeiss.org

Netherlands

Carl Zeiss B.V.
Trapezium 300
Postbus 310
3364 DL Sliedrecht
Netherlands
Phone: +31 184 43 34 00
info@zeiss.nl

New Zealand

Carl Zeiss (N.Z.) Ltd.
15B Paramount Drive
P.O. Box 121 - 1001
Henderson, Auckland 0650
New Zealand
Phone: +64 9 838 5626
med@zeiss.com

Poland

Carl Zeiss sp. z o.o.
ul. Lopuszanska 32
02-220 Warsaw
Poland
Phone: +48 22 858 2343
medycyna@zeiss.pl

Singapore

Carl Zeiss Ptd. Ltd.
50 Kaki Bukit Place
Singapore 415926
Singapore
Phone: +65 6741 9600
info@zeiss.com.sg

South Africa

Carl Zeiss (Pty.) Ltd.
363 Oak Avenue
Ferndale
Randburg 2194
South Africa
Phone: +27 11 886 9510
info@zeiss.co.za

South Korea

Carl Zeiss Co. Ltd.
Seoul 121-828
Mapo-gu
141-1, Sangsu-dong
2F, BR Elitel Bldg.
South Korea
Phone: +82 2 3140 2600
korea@zeiss.co.kr

Spain

Carl Zeiss Meditec Iberia S.A.U.
Ronda de Poniente, 15
Tres Cantos
28760 Madrid
Spain
Phone: +34 91 203 37 00
info@zeiss.es

Sweden

Carl Zeiss AB
Tegeludsvaegen 76
10254 Stockholm
Sweden
Phone: +46 84 59 25 00
info@zeiss.se

Switzerland

Carl Zeiss AG
Feldbachstrasse 81
8714 Feldbach
Switzerland
Phone: +41 55 254 7534
med@zeiss.ch

Thailand

Carl Zeiss Thailand
90 CyberWorld Tower A,
36th Floor, Unit A 3601
230 Ratchadapisek Road
Huaykhwang, Bangkok 10310
Thailand
Phone: +66 2 248 8787
thailand@zeiss.com.sg

United Kingdom

Carl Zeiss Ltd.
509 Coldhams lane
Cambridge
CAMBS
CB1 3JS,
United Kingdom
Phone: +44 1707 871200
info@zeiss.co.uk

United States of America

Carl Zeiss Meditec, Inc.
5160 Hacienda Drive
Dublin, CA 94568
USA
Phone: +1 925 557 4100
info@meditec.zeiss.com

EN_30_010_01861 Printed in Germany - AW-CZ-1/2013 Too International Edition: Not for sale in the United States.
The contents of the brochure may differ from the current status of approval of the product in your country. Please contact our regional representative for more information.
Subject to change in design and scope of delivery and as a result of ongoing technical development. Printed on elemental chlorine-free bleached paper.
OPMI, Varioskop and VisionGard are registered trademarks of Carl Zeiss. PROMAG, FlexioStill and FlexioMotion are trademarks of Carl Zeiss.
© 2013 by Carl Zeiss Meditec AG. All copyrights reserved.



Carl Zeiss Meditec AG

Goeschwitzer Strasse 51–52

07745 Jena

Germany

www.meditec.zeiss.com/OPMI-pico

www.meditec.zeiss.com/contacts