

# YOUR PARTNER IN DIGITAL SUCCESS,

## PaX-i™



### **SUPERIOR IMAGE QUALITY**

- Optimal image for accurate diagnosis

### **TWO DEDICATED SENSORS**

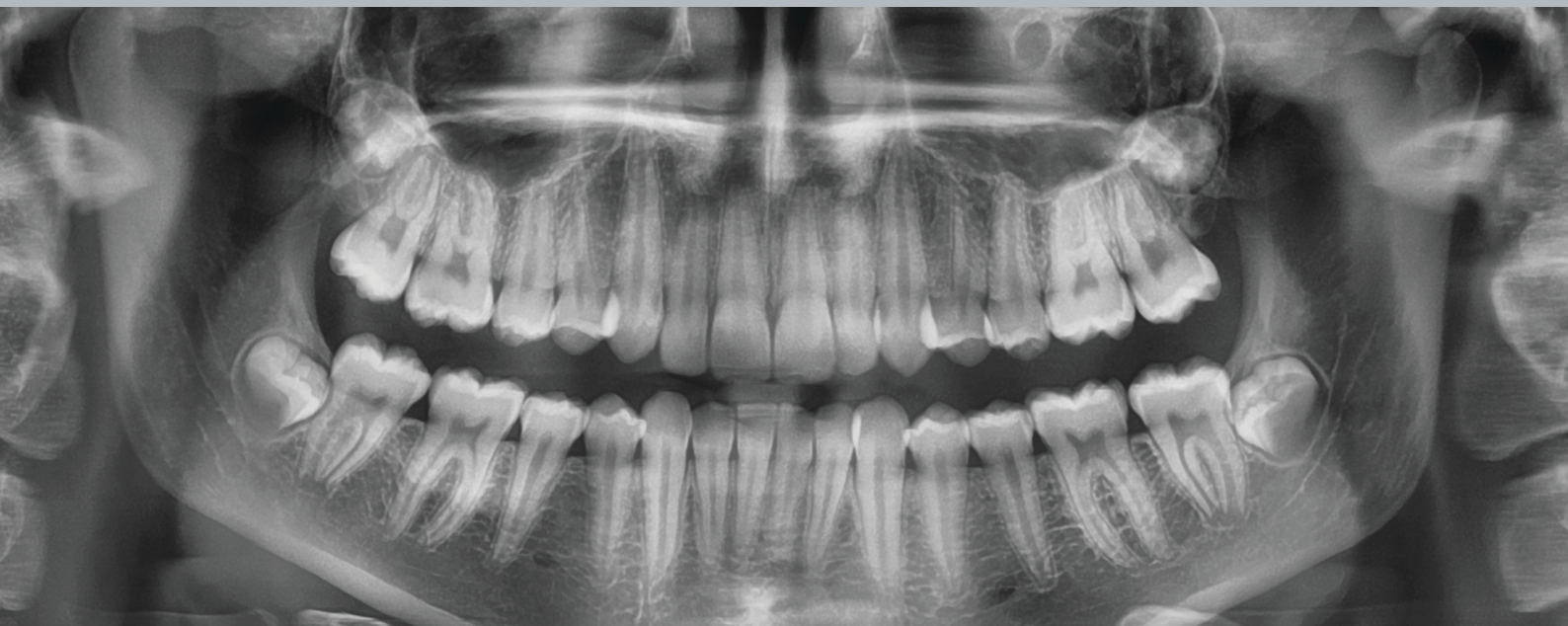
- Specialized sensors for Pano & Ceph  
- Streamlined workflow and prolonged lifespan of sensors

### **USER-FRIENDLY SOFTWARE, EZDENT-I**

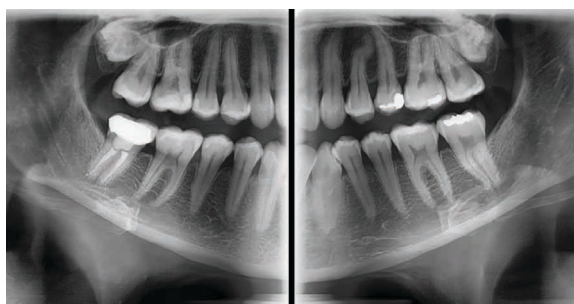
- Complete diagnostic and consultation solution

## THE ADVANCED IMAGING SOLUTION FOR ACCURATE DENTAL DIAGNOSIS

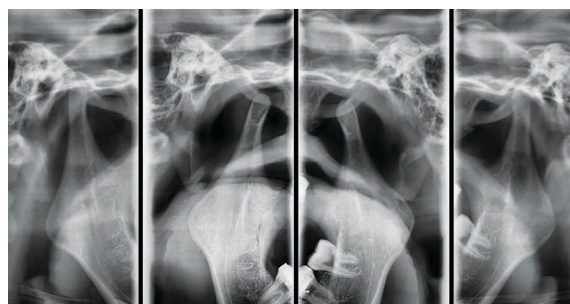
The PaX-i provides the most precise and high quality panoramic images by combining image processing and accumulated experience in dental imaging from Vatech. This will increase your diagnostic accuracy for improved treatment planning and patient satisfaction.



## MAKE YOUR DIAGNOSIS EASY AND EFFICIENT WITH VARIOUS CAPTURE MODES



Bitewing Mode

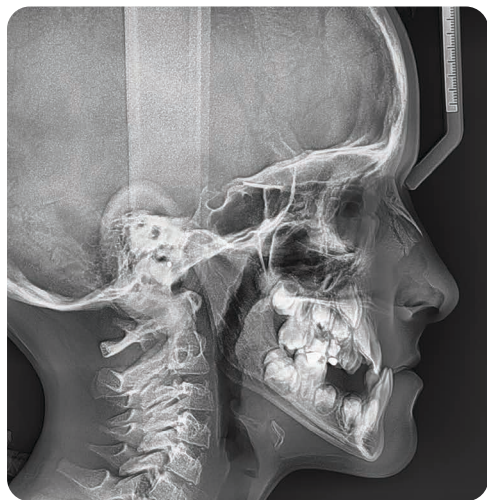


TMJ Mode

SELECTION	ARCH	EXAMINATION MODE
PANO EXAMINATION	Narrow / Normal Wide / Child	Standard / Right / Front / Left
	Orthogonal	Orthogonal Standard / Right / Front / Left Bitewing Standard / Right / Front / Left
SPECIAL EXAMINATION	Normal	TMJ LAT Open / Close TMJ PA Open / Close Sinus LAT / PA

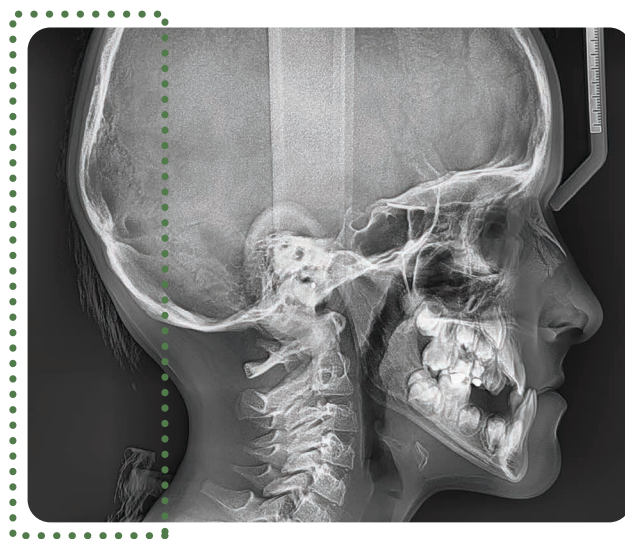
## CEPHALOMETRIC (SCAN CEPH)

The PaX-i provides optimal images exclusively designed for orthodontics. There are two image sizes available, Lateral and Full Lateral, allowing you to choose your image size based on your diagnostic needs.



LATERAL

Provides specialized high quality images to suit orthodontics and maxillofacial surgeries.



FULL LATERAL

A full lateral image size is 30% wider and shows the occipital area of the patient, which enables comprehensive diagnosis.

EXAMINATION PROGRAM	SCAN TIME	IMAGE SIZE
LATERAL	12.9 sec	21x23 cm (8.3"x9.1")
FULL LATERAL	16.9 sec	27x23 cm (10.6"x9.1")



### TWO DEDICATED SENSORS

The PaX-i offers two dedicated and embedded sensors for Pano and Ceph. This not only allows you to capture an optimal image from each sensor, but it also creates an efficient workflow.





### ONE SHOT CEPH

With One Shot Ceph, you can acquire high quality images with low x-ray dosage. Plus, short scan time markedly reduces motion artifacts.

## CEPHALOMETRIC (ONE SHOT TYPE)

Superior image quality will be delivered using the a-Si TFT sensors. Three different ceph image sizes reduce unnecessary x-ray dosage and scan the ideal area of cranial anatomy for your diagnosis and treatment planning.

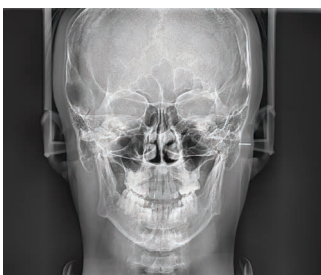
### LATERAL

30x25 cm (12"x10")



OP (One Shot Premium)

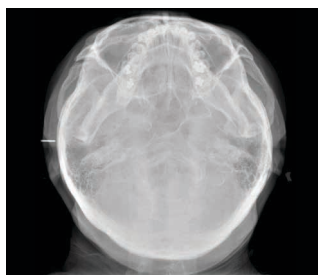
### PA



### Carpus



### SMV(Submentoververtex)



## PRODUCT CONFIGURATION

	PANO	CEPH	
		SCAN	ONE SHOT
PaX-i	•	–	–
PaX-i SC	•	•	–
PaX-i OP	•	–	•

## SPECIFICATIONS (PaX-i: PCH-2500)

Function	Pano + Ceph	Ceph FOV Size	<b>SC</b> 21 cm x 23 cm [LAT, PA, SMV, Waters View, Carpus] 27 cm x 23 cm [Full LAT]
Scan Time	Pano : HD 13.5 sec / Normal 10.1 sec Ceph : Scan 12.9 sec / One Shot 0.9 sec	Ceph FOV Size	<b>OP</b> 30.5 cm x 25.4 cm [LAT, PA, SMV, Waters View, Carpus]
Focal Spot	0.5 mm	Gray Scale	14 bit
Tube Voltage/ Current	50-90 kVp / 4-10 mA	Patient Positioning	Standing / Wheelchair Accessible

## DIMENSIONS [Unit: mm]

### PaX-i

Pano

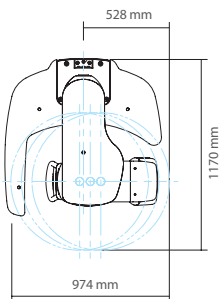
### PaX-i SC

Pano / Scan Ceph

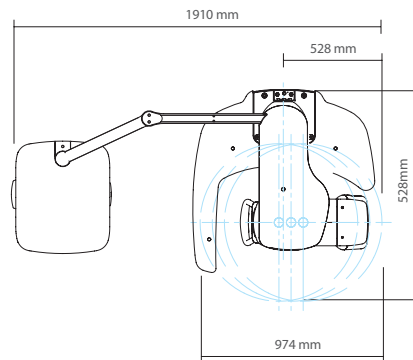
### PaX-i OP

Pano / One Shot Ceph

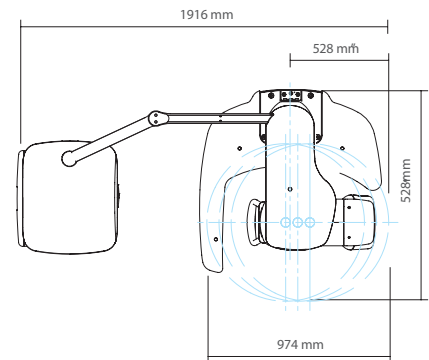
TOP VIEW



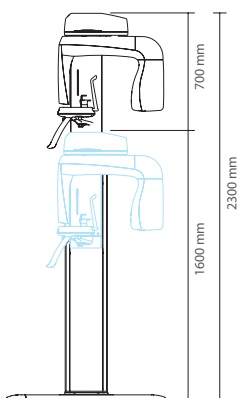
TOP VIEW



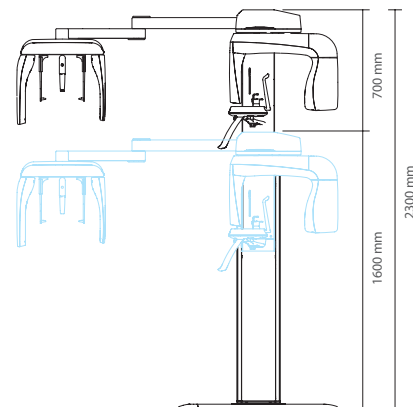
TOP VIEW



FRONT VIEW



FRONT VIEW



FRONT VIEW

